



FRL91-23CGA3-BB79



FRL Series Rocker, 2 lamp circuits (Green/Amber) rectangle housing, DPDT, 2 position, Quick-connect, Snap-in panel

Actual product appearance may vary.

Features

- Expected electrical life 50,000 cycles momentary; 100,000 cycles maintained
- Expected mechanical life 250,000 cycles minimum
- Sealed to IP67
- One- or two-pole circuitry options
- Withstands operating temperature -40 °C to 85 °C [-40 °F to 185 °F]
- Welded lamp connection and one-piece internal, jumperless terminal withstand extreme shock and vibration
- Twelve terminals offer an extensive range of switch and lamp circuit options, including LED or incandescent illumination
- Vibration and shock resistant

Description

The MICRO SWITCH™ FR Series illuminated and non-illuminated full-size sealed rocker switches offer enhanced design flexibility and set new standards for both performance and reliability. The switches are designed to fit industry standard mounting holes of 44,0 mm x 22,0 mm [1.734 in x 0.867 in] and offer a variety of switch and lamp circuit combinations.

Potential Applications

- Transportation industry
- Test equipment
- Heavy-duty machinery
- Marine equipment

Product Specifications

Circuitry/
Operating
action

CIRCUITRY



- 1
- 2
- 3
- 4
- 5
- 6
- 7
- 8

CIRCUIT MADE WITH ROCKER IN			
	POSITION 3 (1&2, 5&6)	POSITION 2	POSITION 1 (2&4, 6&8)
1	ON	OFF	ON
2	OFF	NONE	ON
3	ON	NONE	ON
4	(OFF)	NONE	ON
5	(ON)	OFF	ON
6	OFF	NONE	(ON)
7	(ON)	OFF	(ON)
8	(ON)	NONE	ON

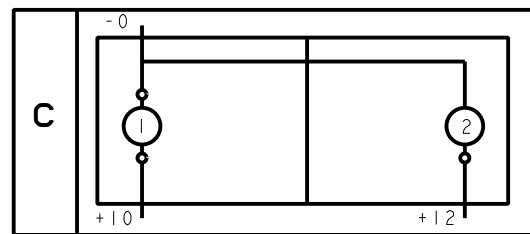
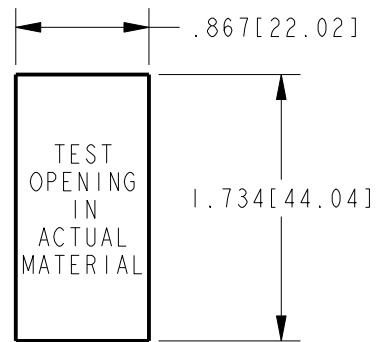
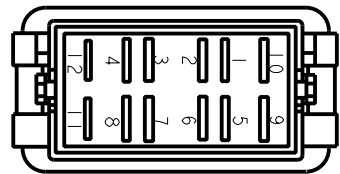
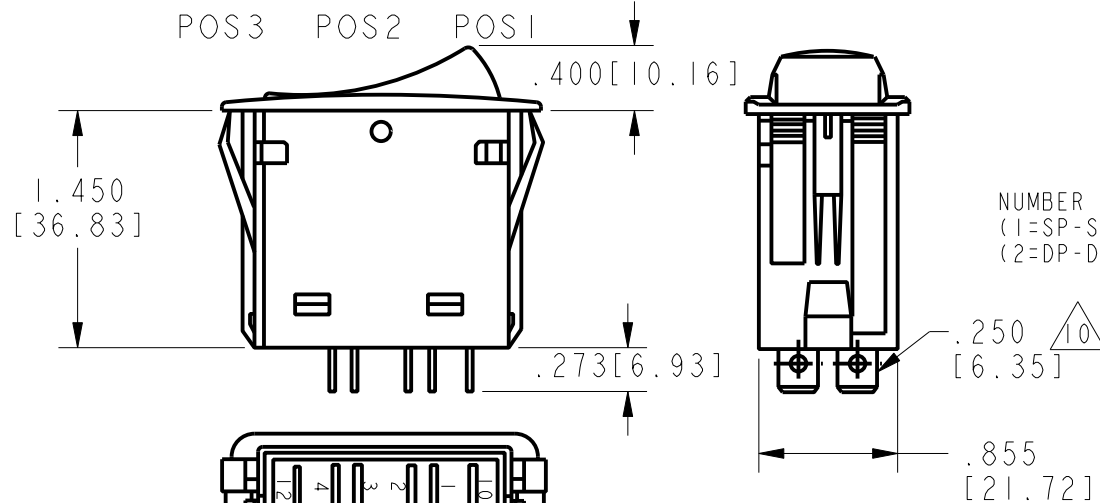
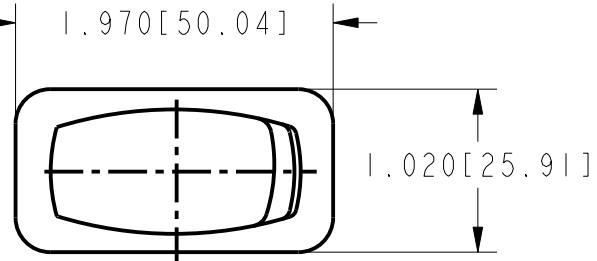
Product Type	MICRO SWITCH™ Rocker
Housing Type	2 Lamp Circuits, Rectangle
Circuitry	DPDT
Action	3 position
Mounting	Snap-in Panel
Lamp Type	12 V LED
Termination	Quick Connect
Lever Type	Standard

Ampere/ Voltage Range (Resistive Load)	20 A, 12 V
LED/Lamp/ Neon Voltage	12 V
LED/Neon Color	Green/Amber
Comment	Illuminated
Availability	Global
UNSPSC Code	302119
UNSPSC Commodity	302119 Switches and controls and relays
Series Name	FR

HONEYWELL
PART NUMBER

4

REV	DOCUMENT	CHANGED BY	CHECK
A	0016303	VKR 24OCT05	-



ILLUMINATION CIRCUIT DIAGRAMS 9

LAMP 7
(A=AMBER, G=GREEN, R=RED, N=NONE)

ILLUMINATION STYLE 9

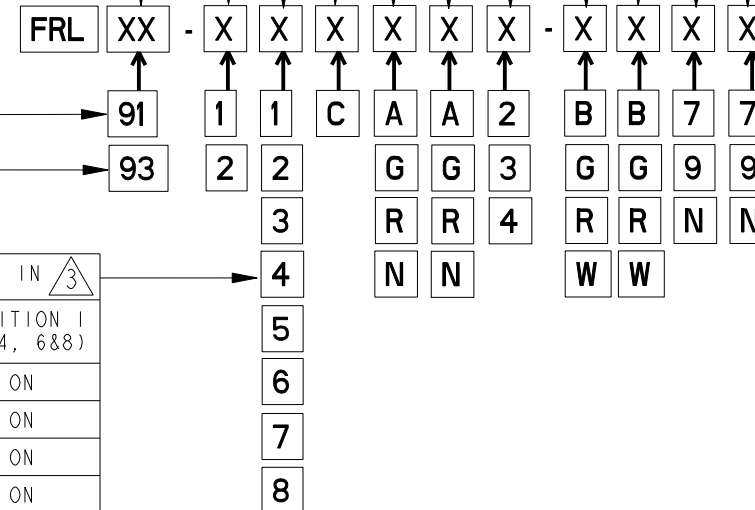
CIRCUITRY 5

NUMBER OF POLES
(1=SP-SINGLE POLE, USES TERMINAL 1-2-4)
(2=DP-DOUBLE POLE, USES TERMINALS 1-2-4 AND 5-6-8)

TERMINAL STYLE 10

.250 [6.35] WIDE QUICK-CONNECT TABS 10
.187 [4.76] WIDE QUICK-CONNECT TABS 10

	CIRCUIT MADE WITH ROCKER IN 3		
	POSITION 3 (1&2, 5&6)	POSITION 2	POSITION 1 (2&4, 6&8)
1	ON	OFF	ON
2	OFF	NONE	ON
3	ON	NONE	ON
4	(OFF)	NONE	ON
5	(ON)	OFF	ON
6	OFF	NONE	(ON)
7	(ON)	OFF	(ON)
8	(ON)	NONE	ON



LAMP 8
(A=AMBER, G=GREEN, R=RED, N=NONE)

LED VOLTAGE
(2=6V, 3=12V, 4=24V)

ACTUATOR COLOR
(B=BLACK, G=GRAY, R=RED, W=WHITE)

BASE/BEZEL COLOR
(B=BLACK, G=GRAY, R=RED, W=WHITE)

LENS STYLE AND COLOR 7
7 = LARGE WHITE TRANSLUCENT.
9 = WHITE TRANSPARENT BAR.
N = NONE

LENS STYLE AND COLOR 8
7 = LARGE WHITE TRANSLUCENT.
9 = WHITE TRANSPARENT BAR.
N = NONE

ELECTRICAL RATING & APPROVALS 10
FOR .250 WIDE TABS: 20A, 12V
FOR .187 WIDE TABS: 15A, 12V

NOTES

- 1 - OPERATING TEMPERATURE RANGE: -40°F TO +185°F (-40°C TO +85°C)
- 2 - ELECTRICAL LIFE: 50,000 CYCLES MOMENTARY, 100,000 CYCLES MAINTAINED.
- 3 - MECHANICAL LIFE: 250,000 CYCLES MIN
- 4 - SEE DIAGRAM FOR CATALOGING SCHEME
- 5 - PARENTHESIS DENOTE MOMENTARY ACTION
- 6 - SEALED TO IP67
- 7 - ABOVE TERMINALS 9 AND 10
- 8 - ABOVE TERMINALS 11 AND 12
- 9 - REFER TO CIRCUIT DIAGRAMS
- 10 - TERMINAL WIDTH AND ELECTRICAL RATING DEPENDENT ON STYLE SELECTED

DESIGN UNITS: INCH	DRAWN	CR	13 JUN 05
TOLERANCES UNLESS NOTED:	CHECK	RJ	13 JUN 05
NO PLACE X ± 0.040	THIS DRAWING COVERS A PROPRIETARY ITEM AND IS THE PROPERTY OF HONEYWELL. THIS DRAWING IS NOT TO BE COPIED OR USED WITHOUT THE PERMISSION OF HONEYWELL.		
ONE PLACE .X ± 0.030			
TWO PLACE .XX ± 0.015			
THREE PLACE .XXX ± 0.015			
FOUR PLACE .XXXX ± 0.005			
ANGLES X ± 2	INTERPRET PER ASME Y14.5M-1994 OTHER HONEYWELL ENGINEERING STANDARDS MAY APPLY		
THIRD ANGLE PROJECTION			

DRAWN		CR	13 JUN 05
CHECK		RJ	13 JUN 05
Pro/ENGINEER 2D			

Honeywell			
TITLE SWITCH, ROCKER			
SIZE	TYPE	DRAWING NAME	REV
B	I	FRL SERIES CHART 1	A
SCALE	NTS	SHEET	1 OF 1